

# INSTALLATION INSTRUCTIONS

## MODELS D1040, D1041, D1042, AND D1043 DAISY MODEL PASS-THRU



Counter by Others



---





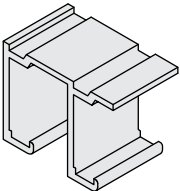
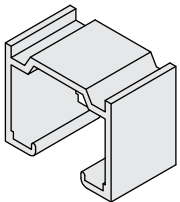

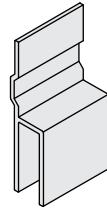
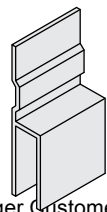
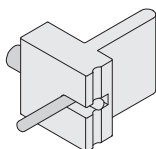
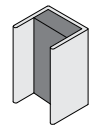
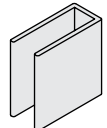
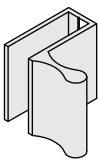
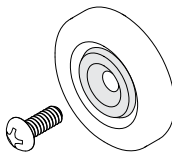
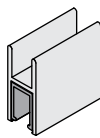
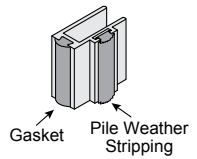
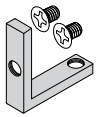
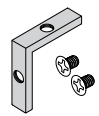
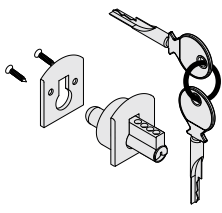

2503 E. Vernon Avenue, Los Angeles, CA 90058-1826  
Phone: (800) 421-6144 EXT. 7760 Fax: (800) 458-7496  
crlaurence.com Email: [transaction@crlaurence.com](mailto:transaction@crlaurence.com)

---

11M0222

# PARTS LIST

NOTE: Counter by Others

<p>D1040</p>  <p>Daisy with D4 Overhead Track and D606 Jambs</p>	<p>D1041</p>  <p>Daisy with D6 Overhead Track and D606 Jambs</p>	<p>D1042</p>  <p>Daisy with D4 Overhead Track and No Jambs</p>	<p>D1043</p>  <p>Daisy with D6 Overhead Track and No Jambs</p>
<p>D4</p>  <p>Open Back Double Overhead Track</p>	<p>D6</p>  <p>Enclosed Double Overhead Track</p>	<p>D35</p>  <p>Retractable Tip Lower Guide</p>	<p>D40</p>  <p>Hanger Clerk Side</p>
<p>D41</p>  <p>Hanger Customer Side</p>	<p>D52</p>  <p>Spring Loaded Catch</p>	<p>D606</p>  <p>Single Jamb with Cushion</p>	<p>D623</p>  <p>Single Channel Stile</p>
<p>D639</p>  <p>Vertical Stile Pull</p>	<p>D679</p>  <p>Nylon Ball Bearing Roller</p>	<p>D1611</p>  <p>H-Bar with Plastic Liner</p>	<p>D1623</p>  <p>Overlap Stile with Pile and Gasket</p>
<p>D658WS</p>  <p>Lower Frame Corner with Nylok Screws</p>	<p>D662WS</p>  <p>Upper Frame Corner with Nylok Screws</p>	<p>Optional Keyed Lock</p> 	<p>Not Included : Fasteners for Perimeter Frame and Catch</p> 

# ORDER OF ASSEMBLY AND INSTALLATION

PARTS LIST .....	2
SPECIFICATIONS .....	3
GLASS FABRICATION .....	4
GLASS PREPARATION .....	4
SLIDING WINDOWS ASSEMBLY .....	5 - 6
Fit Top Rail on Glass and Loosely Attach Side Rails .....	5
Loosely Attach Bottom Rail to Side Rails .....	5
Square Frames and Secure .....	6
Replace Gasket in outer edge of D1623 .....	6
INSTALLATION .....	7 - 9
Install Overhead Track .....	7
Hang Windows .....	7
Install Retractable Guides .....	8
Install Optional Jambs .....	8
Install D52 Catch .....	9
OPTIONAL KEYED LOCK OPERATION .....	10

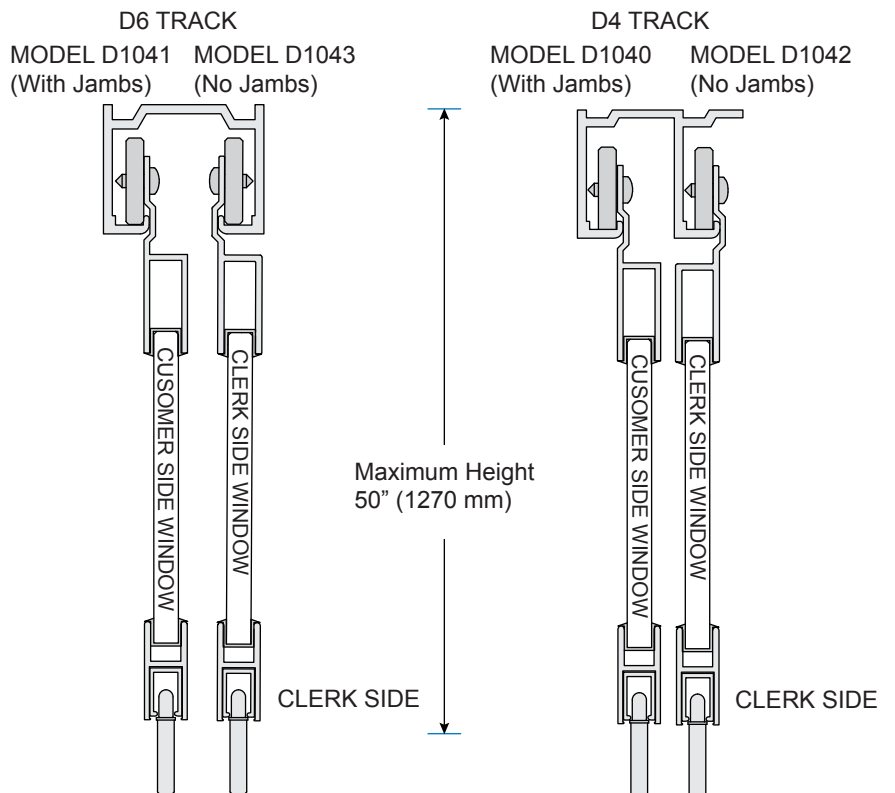
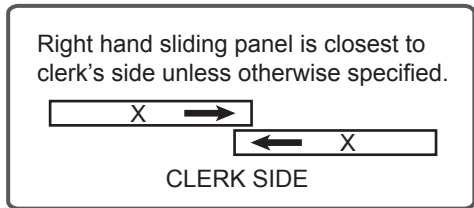
**IMPORTANT: READ THIS MANUAL THOROUGHLY BEFORE BEGINNING INSTALLATION.**

Contact the CRL Transaction Hardware Department at (800) 421-6144 EXT. 7760 or email [transaction@crlaurence.com](mailto:transaction@crlaurence.com) for questions.

## SPECIFICATIONS

Model D1041 is shown in these instructions.

NOTE: Models D1041 and D1043 are designed for pass-thru applications and Models D1040 and D1042 are designed for showcase applications.



# GLASS FABRICATION

## Models D1040 and D1041 with Jamb:

Glass Width = Window Width divided by 2 minus 1-5/16" (33 mm)

Glass Height = Window Height minus 3-1/4" (83 mm)

## Models D1042 and D1043 without Jamb:

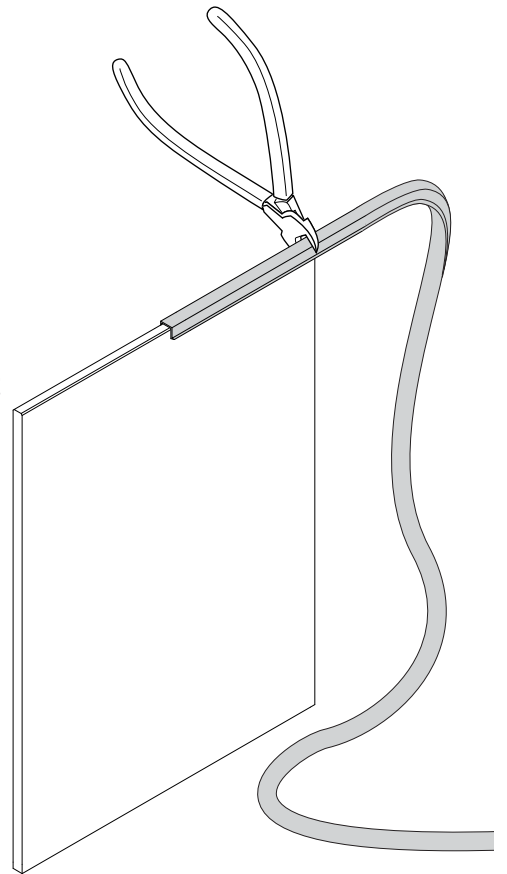
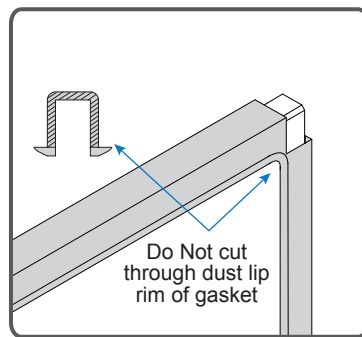
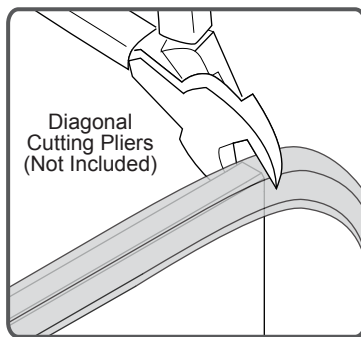
Glass Width = Window Width divided by 2 minus 1-1/16" (29 mm)

Glass Height = Window Height minus 3-1/4" (83 mm)

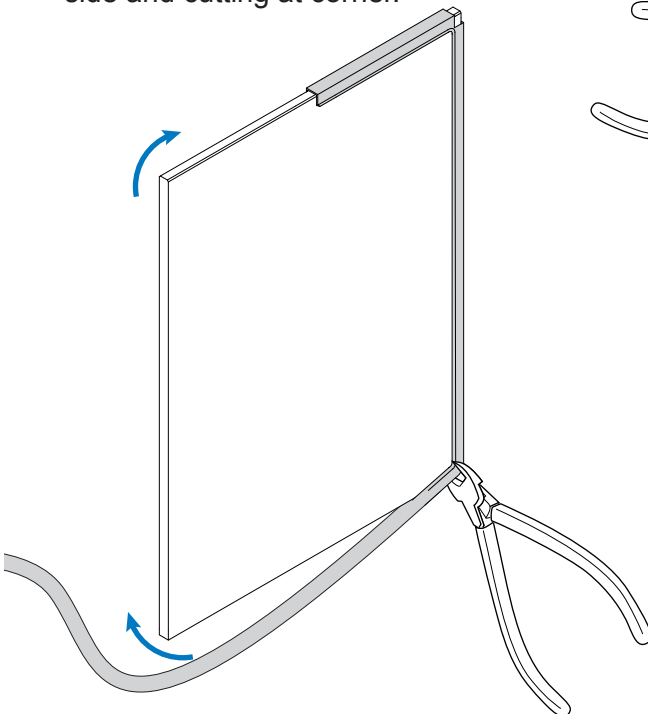
# GLASS PREPARATION

## Install Gasket on Glass

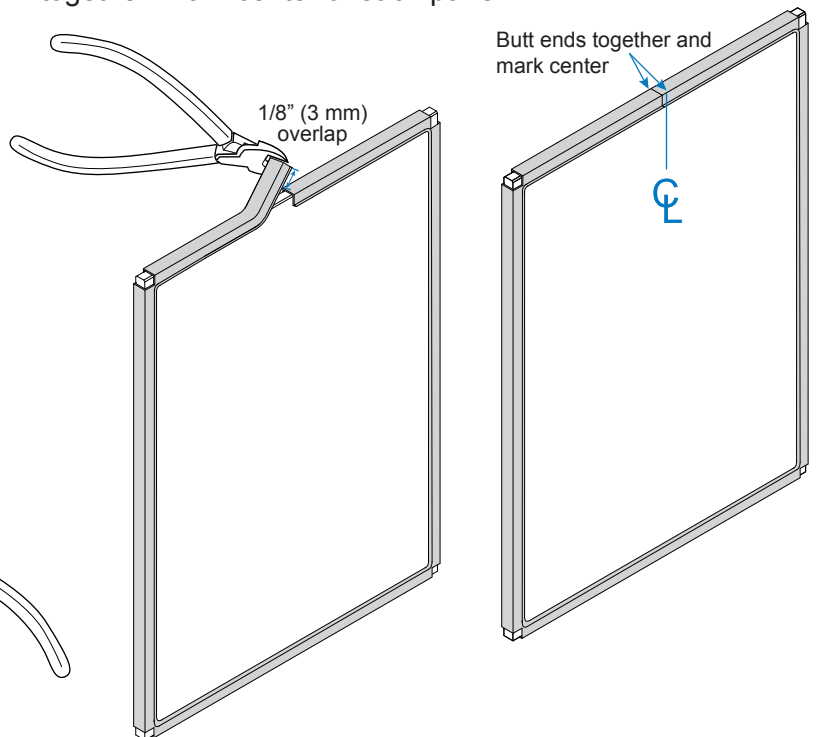
- Ⓐ Fit gasket onto glass at center of the side that will become the top. Smooth to corner and cut a slit through the base of gasket. Do Not cut all the way through to dust lip rims.



- Ⓑ Continue working gasket around edges, smoothing along each side and cutting at corner.



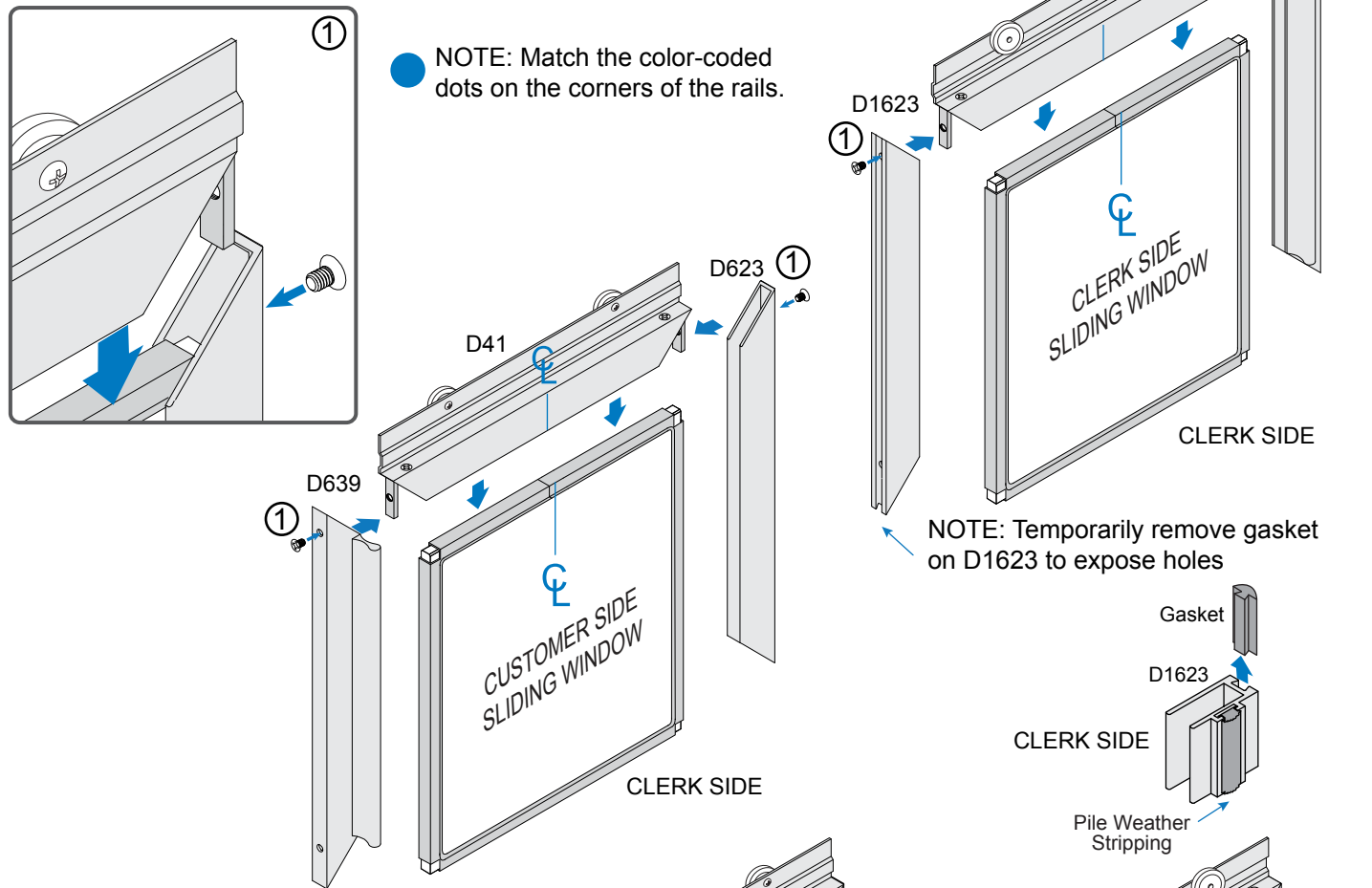
- Ⓒ Overlap ends at top and cut 1/8" (3 mm) excess. Butt ends together. Mark center of each panel.



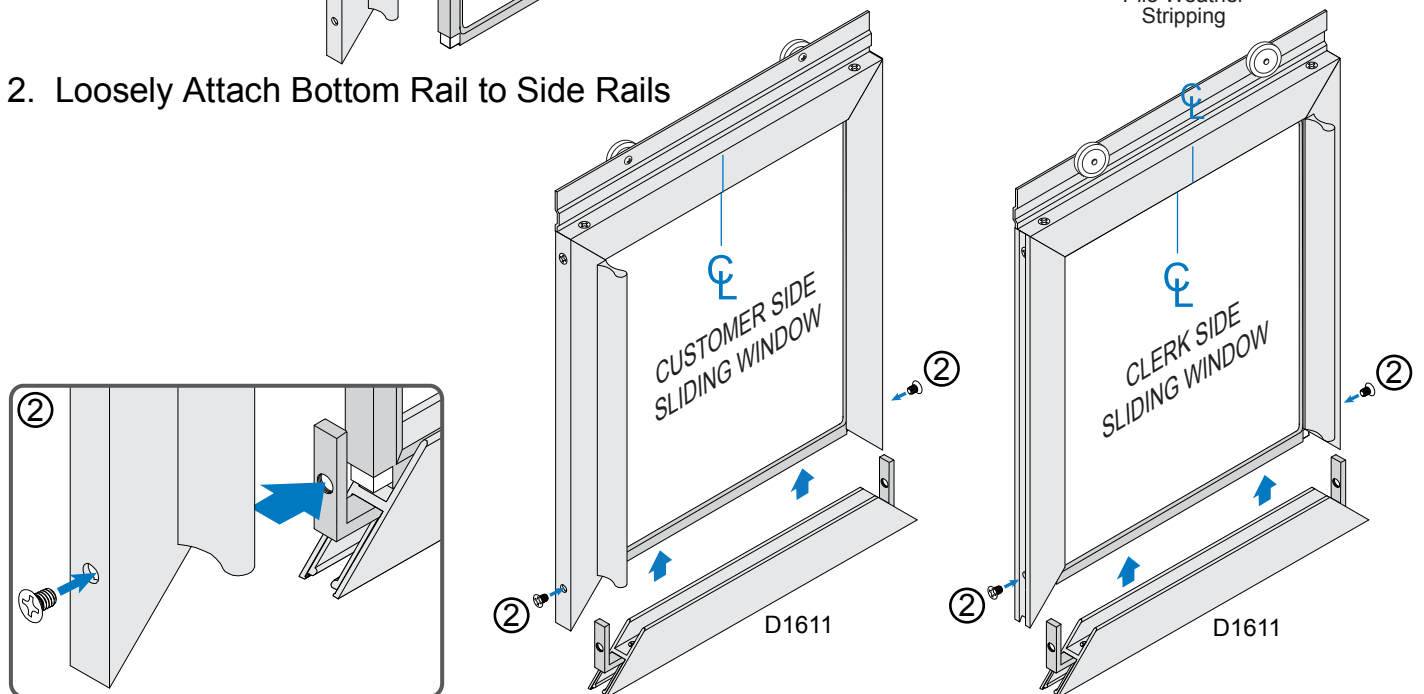
# SLIDING WINDOWS ASSEMBLY

## 1. Fit Top Rail on Glass and Loosely Attach Side Rails

Match center marks on top rail and glass.



## 2. Loosely Attach Bottom Rail to Side Rails



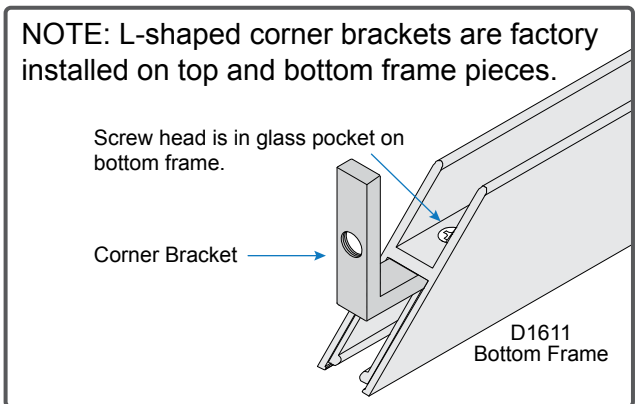
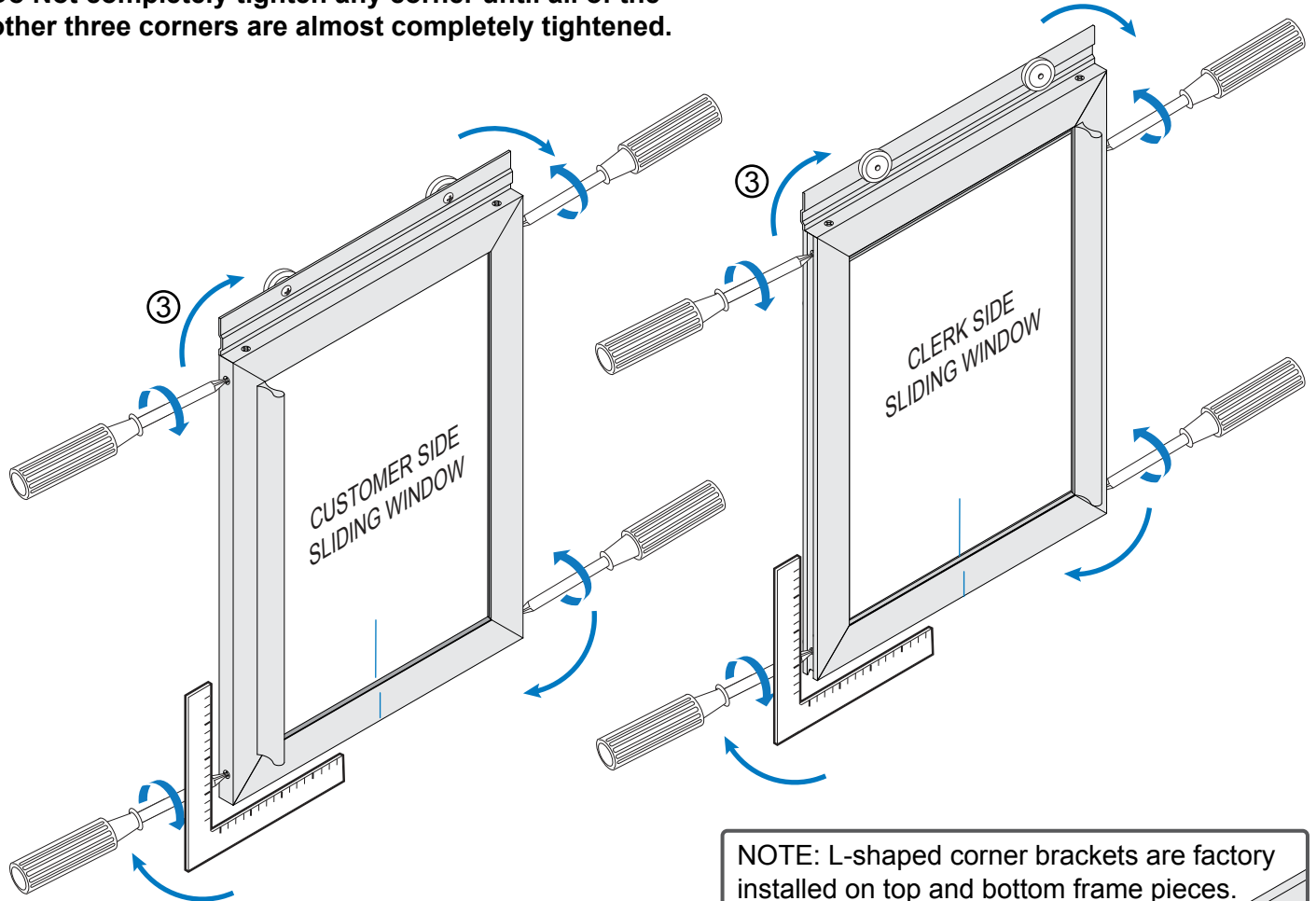
NOTE: Assemble one of each of the sliding windows shown.

# SLIDING WINDOWS ASSEMBLY (CONTINUED)

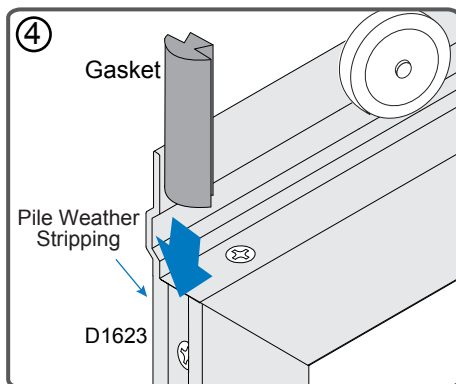
## 3. Square Frames and Secure

**IMPORTANT:** Tighten each corner a little at a time in rotating sequence, maintaining square condition.

**Do Not completely tighten any corner until all of the other three corners are almost completely tightened.**



## 4. Replace Gasket in outer edge of D1623

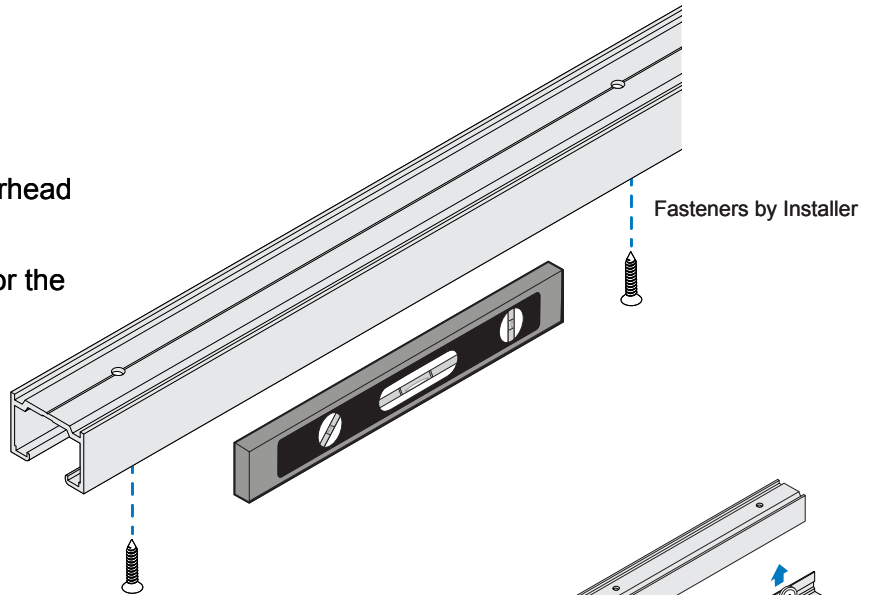


# INSTALLATION

## 1. Install Overhead Track

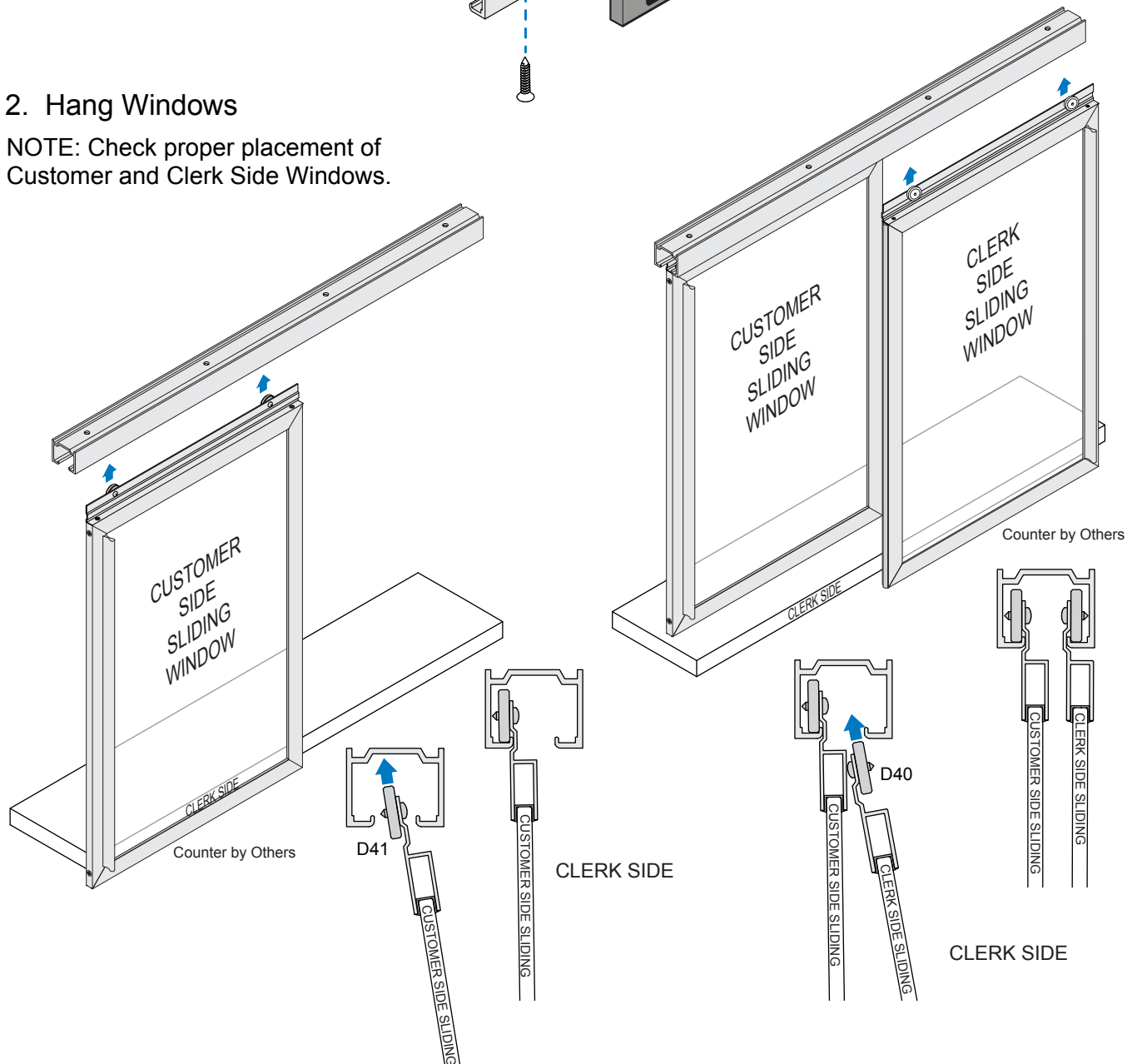
Use a level and shims to install overhead track correctly in opening.

NOTE: Use fasteners appropriate for the surrounding substrate. Fasteners are not included in kit.



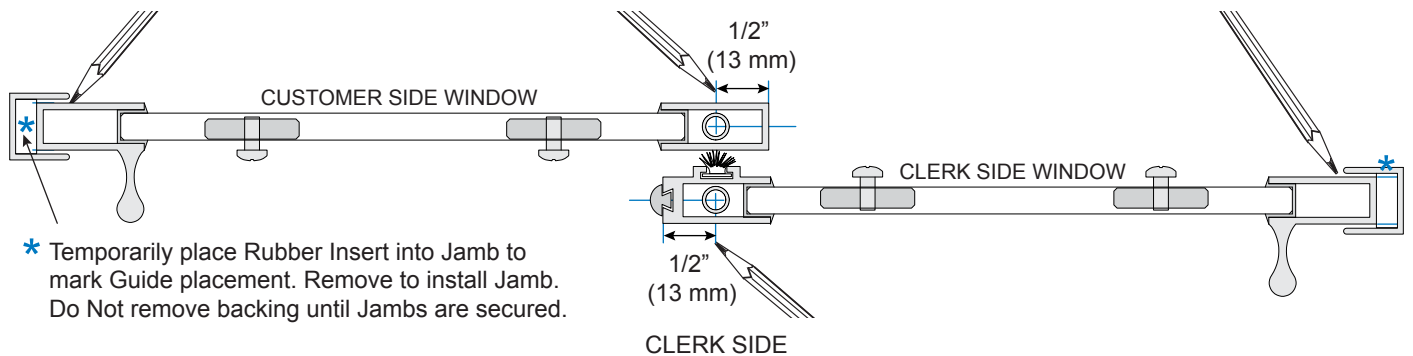
## 2. Hang Windows

NOTE: Check proper placement of Customer and Clerk Side Windows.

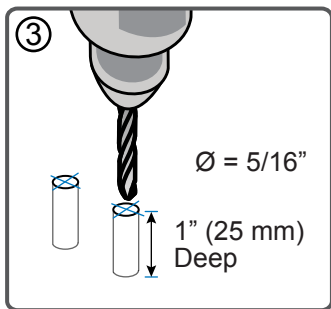


# INSTALLATION (CONTINUED)

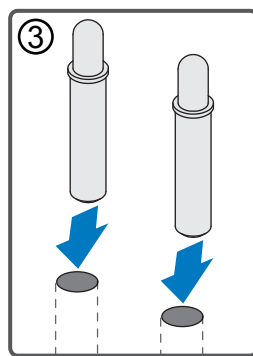
With the windows in closed position, mark placement for retractable guides. Move the windows to the open position to mark placement for the jambs (for Models D1040 and D1041). Remove the sliding windows before installing retractable guides and jambs.



## 3. Install Retractable Guides

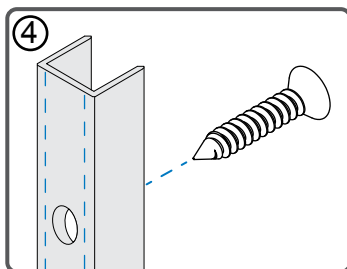


Drill 1" (25 mm) depth hole with 5/16" drill bit.

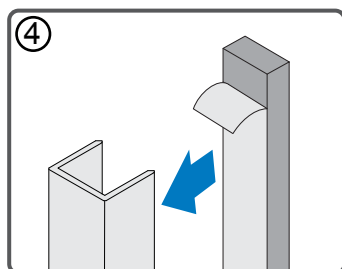


Insert a guide in each hole.

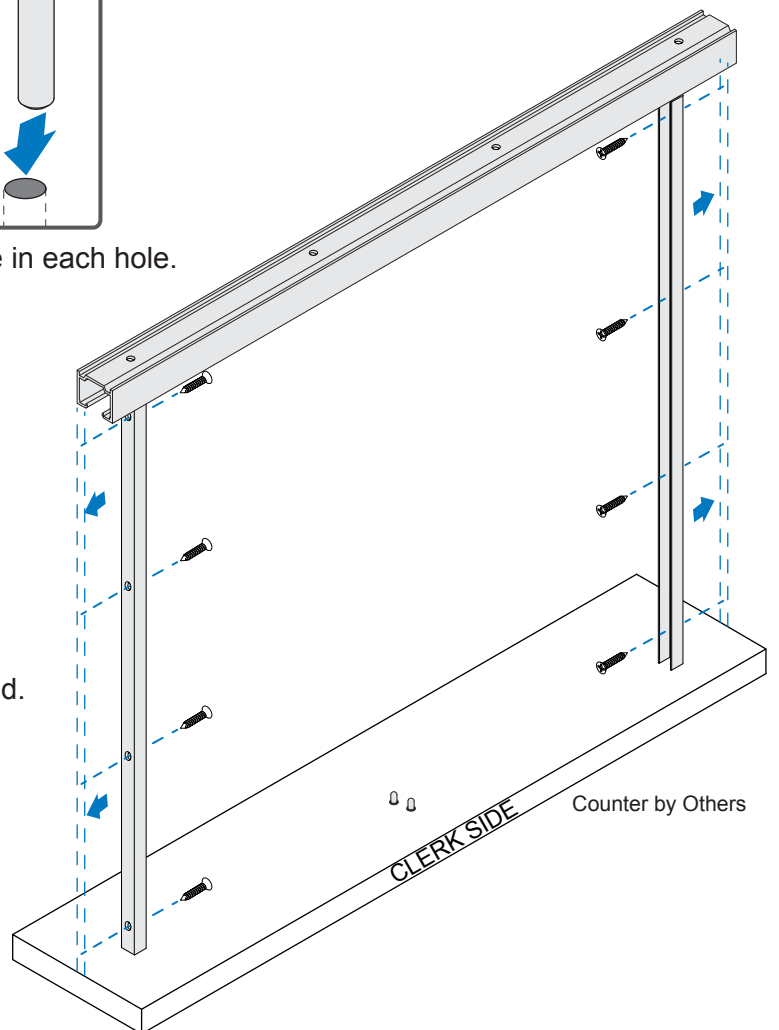
## 4. Install Optional Jambs



Secure using fasteners appropriate for the surrounding substrate. Fasteners not included.



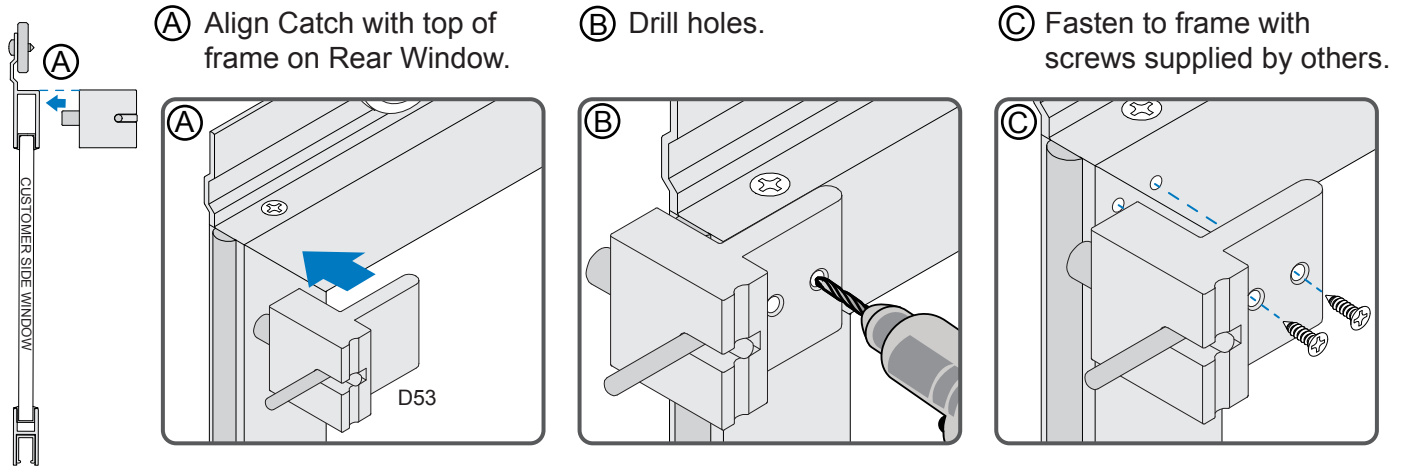
Remove backing and install rubber insert.



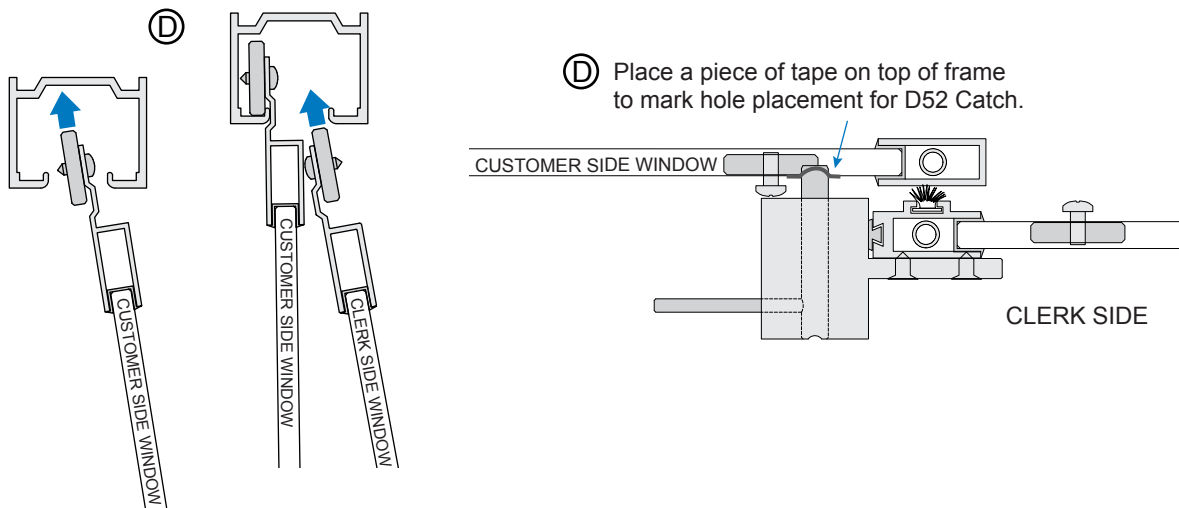


# INSTALLATION (CONTINUED)

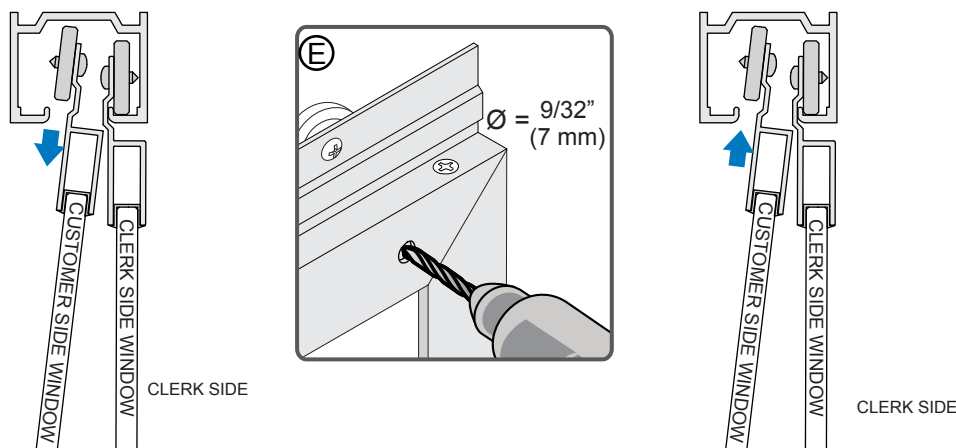
## 5. Install D52 Catch



**(D)** Reinstall windows. Close windows to mark plunger hole location to be drilled in Customer Side Window.

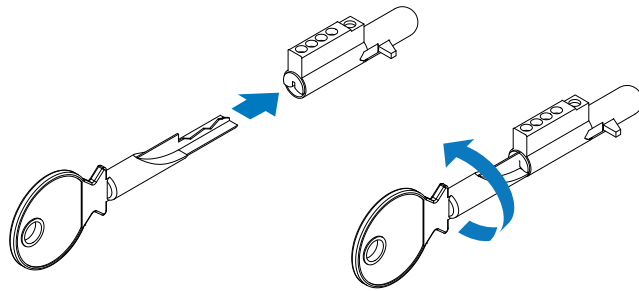


**(E)** Remove Customer Side Window to drill 9/32" (7 mm) hole, and then reinstall.

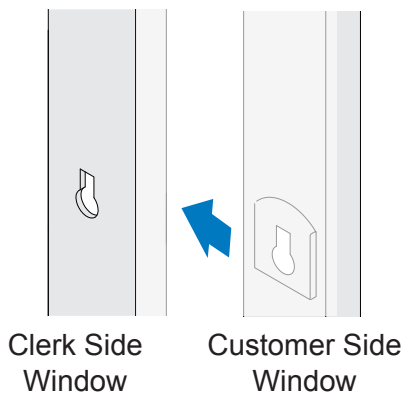


# OPTIONAL KEYED LOCK OPERATION

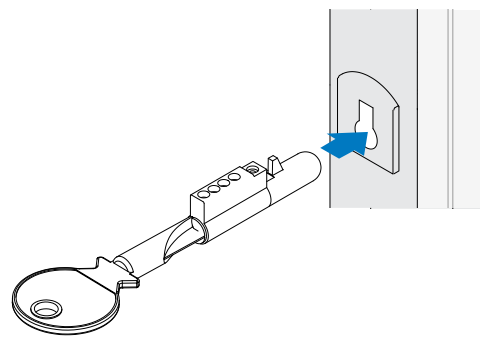
Ⓐ Insert Key into Lock Cylinder and turn to unlock.



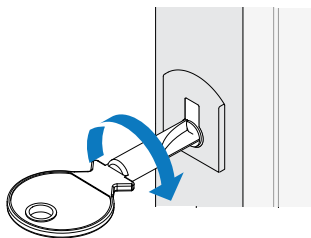
Ⓑ Align sliding frame and jamb.



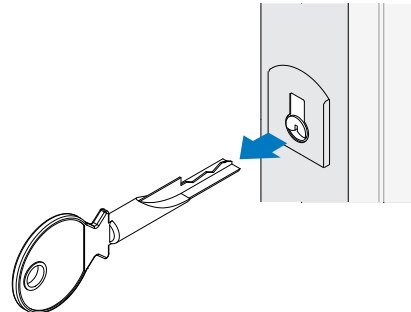
Ⓒ Insert Key and Cylinder.



Ⓓ Turn to locked position.



Ⓔ Remove Key.



NOTE: Keyed lock configuration varies according to model number. Contact the CRL Transaction Hardware Department with any questions at (800) 421-6144 EXT. 7760 or email [transaction@crlaurence.com](mailto:transaction@crlaurence.com).